



Ledinaire floodlight mini

BVP105 LED9/840 PSU VWB100 MDU

LED Module, system flux 900 lm - 840 neutral white - Power supply unit - Very wide beam angle 100° - Movement detection unit

The Ledinaire range contains a selection of popular off-the-shelf LED luminaires that comes with the Philips high quality levels at a competitive price. Reliable, energy-efficient and affordable – just what you need.

Product data

General Information	
Number of light sources	-
Lamp family code	LED9S [LED Module, system flux 900 lm]
Light source color	840 neutral white
Light source replaceable	No
Number of gear units	1 unit
Driver/power unit/transformer	Power supply unit
Driver included	Yes
Optical cover/lens type	Glass flat frosted
Luminaire light beam spread	100°
Embedded control	Movement detection unit
Control interface	-
Connection	Flying leads/wires
Cable	Cable 0.5 m with cable connector 3-pole
Protection class IEC	Safety class I
Flammability mark	-
CE mark	CE mark
ENEC mark	-
Warranty period	3 years
Optic type outdoor	Very wide beam angle 100°

Constant light output	No
Number of products on MCB of 16 A type B	50
RoHS mark	RoHS mark
Light source engine type	LED

Light Technical

Upward light output ratio	0
Standard tilt angle posttop	-
Standard tilt angle side entry	-

Operating and Electrical

Input Voltage	220 to 240 V
Input Frequency	50 to 60 Hz
Inrush current	0.13 A
Inrush time	1 ms
Power Factor (Min)	0.9

Controls and Dimming

Dimmable	No
----------	----

Ledinaire floodlight mini

Mechanical and Housing

Housing Material	Polycarbonate
Reflector material	-
Optic material	Glass
Optical cover/lens material	Glass
Fixation material	Stainless steel
Mounting device	Mounting bracket adjustable
Optical cover/lens shape	Flat
Optical cover/lens finish	Frosted
Overall length	136 mm
Overall width	41 mm
Overall height	166 mm
Effective projected area	0.018 m ²

Approval and Application

Ingress protection code	IP65 [Dust penetration-protected, jet-proof]
Mech. impact protection code	IK07 [2 J reinforced]
Surge Protection (Common/Differential)	2/2 kV

Initial Performance (IEC Compliant)

Initial luminous flux (system flux)	900 lm
Luminous flux tolerance	+/-10%
Initial LED luminaire efficacy	90 lm/W
Init. Corr. Color Temperature	4000 K
Init. Color Rendering Index	>80
Initial chromaticity	-

Initial input power	10 W
Power consumption tolerance	+/-10%

Over Time Performance (IEC Compliant)

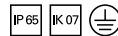
Driver failure rate at 5000 h	1.5 %
Median useful life L70B50	35000 h
Useful life L80B10	35000 h
Lumen maintenance at useful life of 100000 h, at 25 °C	-

Application Conditions

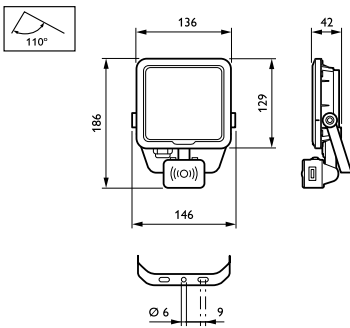
Ambient temperature range	-25 to +40 °C
Maximum dim level	Not applicable

Product Data

Full product code	871869938486999
Order product name	BVP105 LED9/840 PSU VWB100 MDU
EAN/UPC - Product	8718699384869
Order code	912401483141
Numerator - Quantity Per Pack	1
Numerator - Packs per outer box	18
Material Nr. (12NC)	912401483141
Net Weight (Piece)	0.614 kg



Dimensional drawing



Ledinaire floodlight BVP105/106

Ledinaire floodlight mini

