



# UniStreet gen2

## BGP281 LED60-4S/740 I DM11 D948/60S

UNISTREET GEN2 MICRO - LED module 6000 lm - 740 neutral white - Safety class I - Distribution medium 11 - Side-entry for diameter 48 to 60 mm

Designed for large-scale ledification projects, the UniStreet gen2 is the ideal 1:1 luminaire replacement for municipalities. Thanks to its high efficiency and low initial cost, the UniStreet gen2 luminaire enables a fast payback and significant savings in terms of energy consumption within a short period of time. The ease of installation and maintenance is enabled by the Philips Service tag and the Philips SR (System Ready) socket makes it future-ready and you can pair this luminaire with lighting control and software applications such as Interact City. Available with a number of different optics and lumen packages that can even be tuned further to fit exact project requirements, UniStreet gen2 is a true point-to-point replacement solution for conventional light sources. The compact luminaire, using high-quality materials is also easy to dismantle and recycle at the end of its lifetime.

### Product data

General Information			
Lamp family code	LED60 [ LED module 6000 lm]	Cable	-
Light source color	740 neutral white	Protection class IEC	Safety class I
Light source replaceable	Yes	Flammability mark	For mounting on normally flammable surfaces
Number of gear units	1 unit	CE mark	CE mark
Driver/power unit/transformer	Power supply unit with DALI interface	ENEC mark	ENEC plus mark
Driver included	Yes	Warranty period	5 years
Optical cover/lens type	Flat glass	Optic type outdoor	Distribution medium 11
Luminaire light beam spread	160° - 42° x 54°	Remarks	* At extreme ambient temperatures the luminaire might automatically dim down to protect components
Control interface	DALI		
Connection	2 Push-in connector 5-pole		

# UniStreet gen2

Constant light output	No
Number of products on MCB of 16 A type B	26
EU RoHS compliant	Yes
Light source engine type	LED
Service tag	Yes
Serviceability class	Class A, luminaire is equipped with serviceable parts (when applicable): LED board, driver, control units, surge protection device, optics, front cover and mechanical parts
Product family code	BGP281 [ UNISTREET GEN2 MICRO]

## Light Technical

Upward light output ratio	0
Standard tilt angle posttop	0°
Standard tilt angle side entry	0°

## Operating and Electrical

Input Voltage	220 to 240 V
Input Frequency	50 to 60 Hz
Inrush current	21 A
Inrush time	0.225 ms
Power Factor (Min)	0.98

## Controls and Dimming

Dimmable	Yes
----------	-----

## Mechanical and Housing

Housing Material	Aluminum die cast
Reflector material	Polycarbonate
Optic material	Polymethyl methacrylate
Optical cover/lens material	Glass
Fixation material	Aluminum
Mounting device	Side-entry for diameter 48 to 60 mm
Optical cover/lens shape	Flat
Optical cover/lens finish	Clear
Overall length	520 mm
Overall width	234 mm
Overall height	95 mm
Effective projected area	0.0235 m <sup>2</sup>
Color	Gray

Dimensions (Height x Width x Depth)	95 x 234 x 520 mm (3.7 x 9.2 x 20.5 in)
-------------------------------------	---

## Approval and Application

Ingress protection code	IP66 [ Dust penetration-protected, jet-proof]
Mech. impact protection code	IK08 [ 5 J vandal-protected]
Surge Protection (Common/Differential)	Luminaire surge protection level until 6 kV differential mode and 8 kV common mode

## Initial Performance (IEC Compliant)

Initial luminous flux (system flux)	5280 lm
Luminous flux tolerance	+/-7%
Initial LED luminaire efficacy	139 lm/W
Init. Corr. Color Temperature	4000 K
Init. Color Rendering Index	70
Initial chromaticity	(0.381, 0.379) SDCM <5
Initial input power	38 W
Power consumption tolerance	+/-10%
Init. Color Rendering Index Tolerance	+/-2

## Over Time Performance (IEC Compliant)

Control gear failure rate at median useful life 100000 h	10 %
Lumen maintenance at median useful life* 100000 h	L96

## Application Conditions

Ambient temperature range	-40 to +50 °C
Performance ambient temperature Tq	25 °C
Maximum dim level	0% (digital)

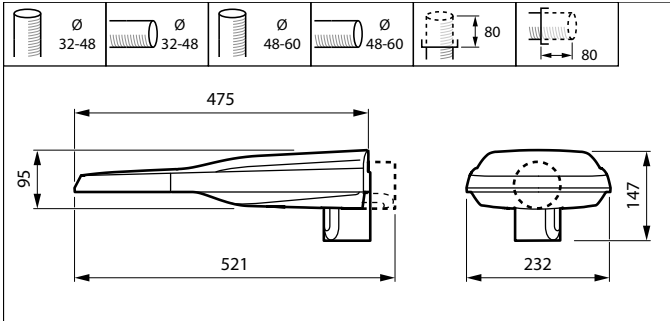
## Product Data

Full product code	871951407956400
Order product name	BGP281 LED60-4S/740 I DM11 D948/60S
EAN/UPC - Product	8719514079564
Order code	910925866690
Numerator - Quantity Per Pack	1
Numerator - Packs per outer box	1
Material Nr. (12NC)	910925866690
Net Weight (Piece)	4.000 kg



# UniStreet gen2

## Dimensional drawing



UniStreet BGP/BGS202/203/204

