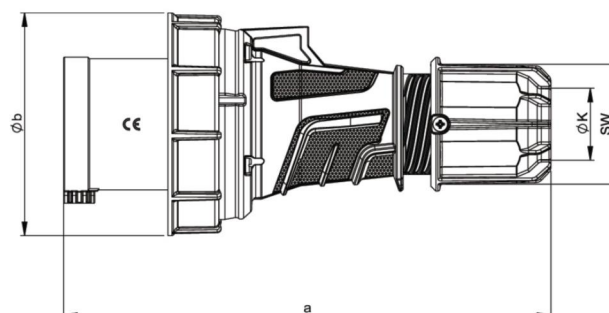


## PCE data sheet

|                        |   |
|------------------------|---|
| article#               | <b>034-7</b>  |
| article description    | <b>CEE-plug 63A 4p 7h IP67 POWER TWIST</b>  |
| description long       | CEE-plug 63A 4p 7h IP67 POWER TWIST<br>housing material: PA6<br>rated current: 63A<br>number of poles: 4 (3P+PE)<br>clock-position: 7h<br>rated voltage/frequency: 480-500V~ / 50+60Hz<br>contacts: brass nickel plated, with pilot pin<br>connection technology: frame terminals with screws<br>IP protection class: IP66/IP67 |
| GTIN (EAN)             | 9003399041006   |
| country of origin      | AT  |
| customs number         | 85366990  |
| packaging quantity     | 2   |
| minimum order quantity | 2   |

|                            |                        |
|----------------------------|------------------------|
| ETIM 7.0                   | EC000140               |
| IEC-amperage               | 63 A                   |
| Number of poles            | 4                      |
| Voltage acc. EN 60309-2    | 500 V (50+60 Hz) black |
| Clock hour position        | 7 h                    |
| Identification colour      | Black                  |
| RAL-number                 | 7046                   |
| Degree of protection (IP)  | IP67                   |
| Connection system          | Screwed terminal       |
| Cable entry                | Swivel                 |
| Angle of plug              | Straight               |
| Material                   | Plastic                |
| Contact material           | CuZn                   |
| Surface treatment contacts | Nickel-plated          |

|                    |                      |
|--------------------|----------------------|
| a                  | 250 mm               |
| b                  | 115 mm               |
| K (cable Ø)        | 14,5-36 mm           |
| SW                 | 61 mm                |
| wire flexible      | 6-16 mm <sup>2</sup> |
| contact screws     | 200 Ncm              |
| strain relief      | 1500 Ncm             |
| dismantling length | 100 mm               |
| stripping length   | 15-18 mm             |


[www.manufacturer-safety.info](http://www.manufacturer-safety.info)