



MASTER VALUE LEDs pot LV

MASTER LED SPOT VLE D 7.5-50W MR16 940 60D

Philips MASTER VALUE MR16 is the series of Low Voltage (12VAC) Halogen MR16 replacements. Not only does it employ Philips' patented solution to guarantee the broadest possible compatibility with standard 12V Halogen electronic transformers. It also delivers beam intensity which is equivalent to the 50W Philips Halogen MR16 lamps. The form-factor of Philips MASTER Value LED MR16 guarantees a 100% form on the back-side of the lamp (exact form with Halogen lamps.)

Warnings and Safety

- Operating temperature range is between -20° C and 45° C ambient
- Only to apply in dry or damp locations and most of open fixtures with lamp-holders that offer sufficient space (10 mm free air space)
- Not intended for use with emergency light fixtures or exit lights

Product data

General Information		Light Technical	
Cap-Base	GU5.3 [GU5.3]	Luminous Intensity (Nom)	770 cd
EU RoHS compliant	Yes	Color Designation	Cool White (CW)
Nominal Lifetime (Nom)	25000 h	Correlated Color Temperature (Nom)	4000 K
Switching Cycle	50000X	Luminous Efficacy (rated) (Nom)	88.00 lm/W
Flux measurement reference	Narrow Cone	Color Consistency	<6
		Color Rendering Index (Nom)	90
		LLMF At End Of Nominal Lifetime (Nom)	70 %
		Luminous Flux in 90° Cone (Rated)	660 lm
Light Technical		Operating and Electrical	
Color Code	940 [CCT of 4000K]	Input Frequency	- Hz
Beam Angle (Nom)	60 °		
Luminous Flux (Nom)	660 lm		

MASTER VALUE LEDspot LV

Power (Nom)	7.5 W
Lamp Current (Nom)	660 mA
Wattage Equivalent	50 W
Starting Time (Nom)	0.5 s
Warm Up Time to 60% Light (Nom)	0.5 s
Power Factor (Nom)	0.7
Voltage (Nom)	ac electronic 12 V

Temperature

T-Case Maximum (Nom)	95 °C
----------------------	-------

Controls and Dimming

Dimmable	Only with specific dimmers
----------	----------------------------

Mechanical and Housing

Bulb Shape	MR16 [2inch/50mm]
------------	--------------------

Approval and Application

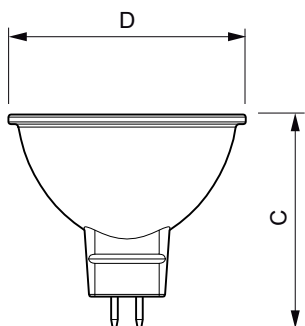
Energy Efficiency Class	F
-------------------------	---

Suitable For Accent Lighting	Yes
Energy Consumption kWh/1000 h	8 kWh
EPREL Registration Number	453185

Product Data

Full product code	871951430742100
Order product name	MASTER LED SPOT VLE D 7.5-50W MR16 940 60D
EAN/UPC - Product	8719514307421
Order code	929002493702
Numerator - Quantity Per Pack	1
Numerator - Packs per outer box	10
Material Nr. (12NC)	929002493702
Net Weight (Piece)	0.045 kg

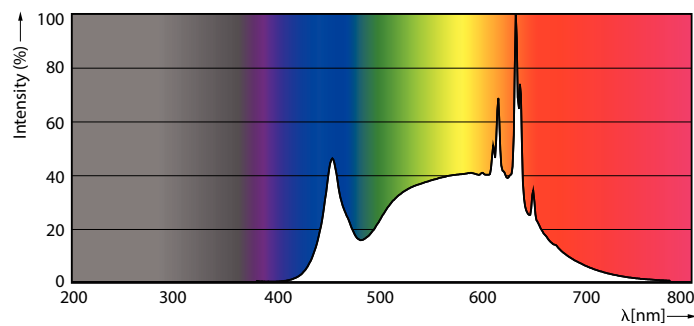
Dimensional drawing



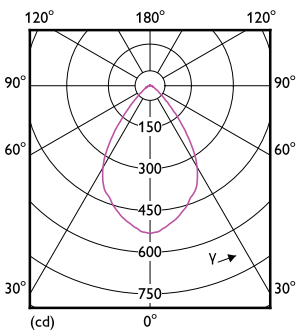
MR16 12V 7-50W 660lm 60D 4000K GU5.3 D

Product	D	C
MASTER LED SPOT VLE D 7.5-50W MR16 940 60D	50.5 mm	45.5 mm

Photometric data



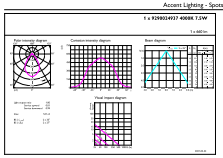
LEDspots MAS 7,5W MR16 GU5,3 940 60D



LEDspots MAS 7,5W MR16 GU5,3 940 60D

MASTER VALUE LEDspot LV

Photometric data



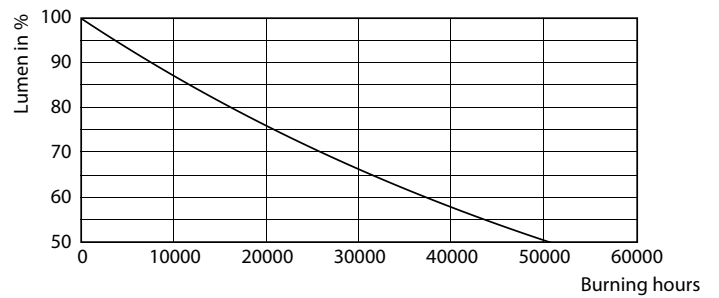
© 2021 Philips Lighting B.V. Page 11

LEDspots MAS 7,5W MR16 GU5,3 940 60D

Lifetime



LEDspots LED 25K



LEDspots LMP 25K

