

# PHILIPS

## Lighting



# HID-Basic BSN/BMH semi-parallel for SON/CDO/CDM/MH/HPI

## BSN 150 K302-I 230V 50Hz BC2-126

Impregnated electromagnetic copper ballasts for use with an external semi-parallel ignitor for CDM, CDO, MH, HPI (Plus) and SON lamps

### Product data

#### General Information

Application Code	K302-I
Design	BC2-126
Lamp Type	SON/MH/CDM/CDO
Number Of Lamps	1 piece/unit

#### Operating and Electrical

Input Voltage	230 V
Input Frequency	50 Hz
Mains Voltage Performance (AC)	-8%+6%
Mains Voltage Safety (AC)	-10%+10%
Input Current With PF Correction	0.85 A
Input Current Without PF Correction	1.8 A
Power Factor Without PF Compensation (Nom)	0.40

#### Wiring

Ballast Contact Wire Cross Section	1.00-2.50 mm <sup>2</sup>
Connector Type	Screw

#### System characteristics

Capacitor	18 $\mu$ F/250V
Rated Ballast-Lamp Power	150 W
Recommended Ignitor	for SON/CDO/CDM lamps ignitor SKD 578 (913700655366)

#### Temperature

Delta-T Normal Conditions	80 °C
---------------------------	-------

#### Approval and Application

Active Temperature Protection	Yes
-------------------------------	-----

#### Product Data

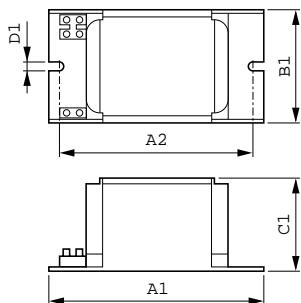
Full product code	872790092827300
Order product name	BSN 150 K302-I 230V 50Hz BC2-126
EAN/UPC - Product	8727900928273
Order code	913700283026
Numerator - Quantity Per Pack	1
Numerator - Packs per outer box	6

## HID-Basic BSN/BMH semi-parallel for SON/CDO/CDM/MH/HPI

Material Nr. (12NC) 913700283026

Net Weight (Piece) 2.030 kg

### Dimensional drawing



Product	C1	A1	B1
BSN 150 K302-I 230V 50Hz BC2-126	65.0 mm	126.0 mm	76.0 mm

BSN 150 K302-I 230V 50Hz BC2-126

